



Lime Down

Solar Park

Environmental Statement

Volume 3, Appendix 3-3: Illustrative Drawings (Clean)

May 2026

Revision 2

Planning Inspectorate Reference: EN010168

Document Reference: APP/6.3

APFP Regulation 5(2)(a)



List of Contents

Appendix 3-3: Illustrative Drawings.....	1
1.1 Illustrative Substation Compound Layouts	1
1.2 Illustrative Substation Side Elevations	3
1.3 Illustrative Transformer Dimensions	9
1.4 Illustrative Drawings of Solar PV Concrete Feet	13
1.5 Single Axis Tracker Mounting Structure Side View.....	16
1.6 Illustrative Access Track to BESS Area	18

Appendix 3-3: Illustrative Drawings

1.1 Illustrative Substation Compound Layouts

132 kV Substation

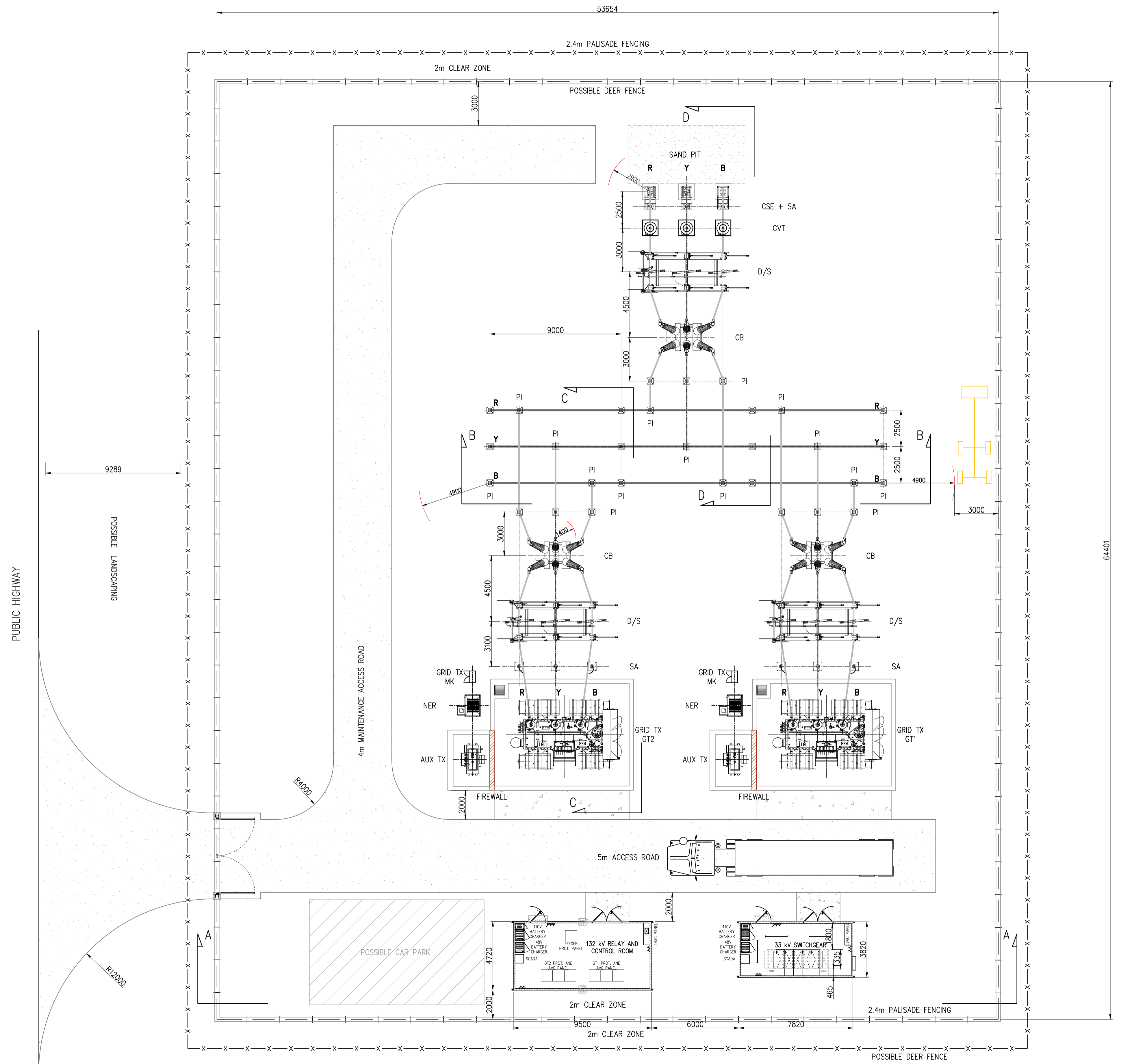
132kV MINIMUM ELECTRICAL CLEARANCES	
DESCRIPTION	DISTANCE (m)
PHASE TO PHASE CLEARANCE	1.4
PHASE TO EARTH CLEARANCE	1.1
DESIGN CLEARANCE FOR SAFETY (VERTICAL) D ₅₁	3.8
DESIGN CLEARANCE FOR SAFETY (HORIZONTAL) D _{5H}	2.9
INSULATION HEIGHT (PEDESTRIAN ACCESS)	2.4
SAFETY DISTANCE	1.4
MEWP DESIGN CLEARANCE FOR SAFETY (VERTICAL) D ₅₂	5.8
MEWP DESIGN CLEARANCE FOR SAFETY (HORIZONTAL) D _{5H2}	4.9

- ABBREVIATION:
- AUX TX AUXILIARY TRANSFORMER
 - CB CIRCUIT BREAKER
 - CSE CABLE SEALING END
 - CVT CAPACITIVE VOLTAGE TRANSFORMER
 - D/S DISCONNECTOR
 - MK MARSHALLING KIOSK
 - NER NEUTRAL EARTHING RESISTOR
 - PI POST INSULATOR
 - SA SURGE ARRESTER
 - TX TRANSFORMER

TO BE VIEWED IN CONJUNCTION WITH ELEVATIONS DRAWING OP-PR0918-LAY006.

THE PROPOSED SUBSTATION LAYOUT IS BASED ON ASSUMPTION THAT THERE IS NO SITE RESTRICTIONS.

THE PROPOSED BUSBAR SIZE IS 90mm x 6mm AL CONDUCTOR (2000A RATING). THE BUSBAR SIZED SHALL BE CONFIRMED DURING DETAILED DESIGN.



PRELIMINARY
NOT FOR SITE USE

PI	19.05.25	PRELIMINARY	DCP	EC	PD
----	----------	-------------	-----	----	----

REV	DATE	DESCRIPTION	DRN	DES	REV#	APP
-----	------	-------------	-----	-----	------	-----

Do not scale from this drawing. All dimensions given in millimeters unless otherwise stated. Copyright owned by 'Omnia Projects'. This drawing may not be used or copied without written consent.

OMNIAProjects
The Catalyst, York Science Park, Baird Lane, Heslington, York YO10 5GA
email: office@omniaprojects.co.uk

Island GREEN POWER | LIMEDOWN SOLAR FARM LIMITED

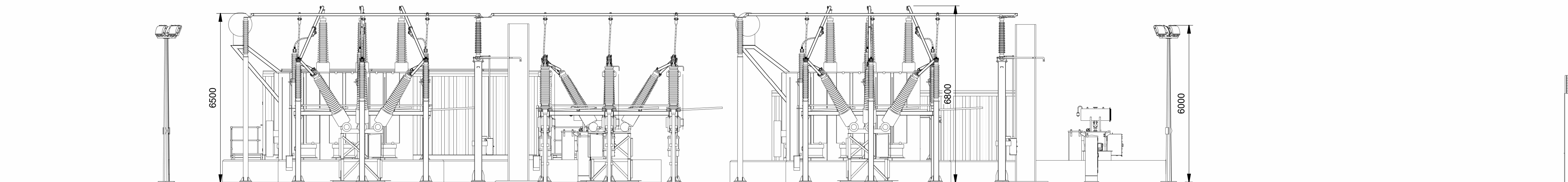
LIMEDOWN SOLAR FARM
132/33kV SUBSTATION COMPOUND
DUAL TRANSFORMERS

PROJECT NAME	LIMEDOWN SOLAR FARM
CUSTOMER	ISLAND GREEN POWER

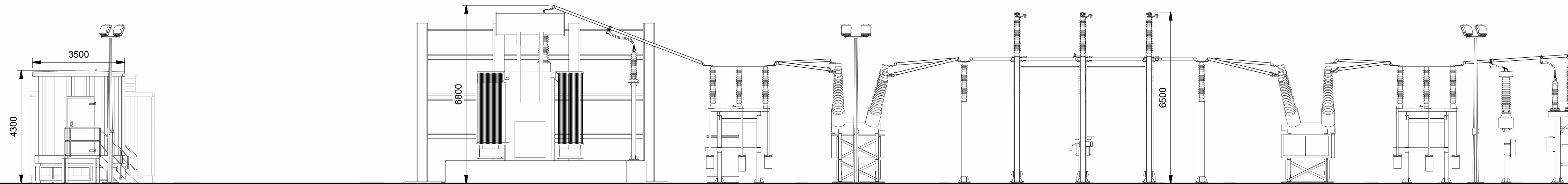
CUSTOMER DRAWING NUMBER	****	STATUS	PRELIMINARY
DRAWING NUMBER	PR01212-02-LAY-004	SCALE	1:150
SIZE	A1	REVISION	P1

1.2 Illustrative Substation Side Elevations

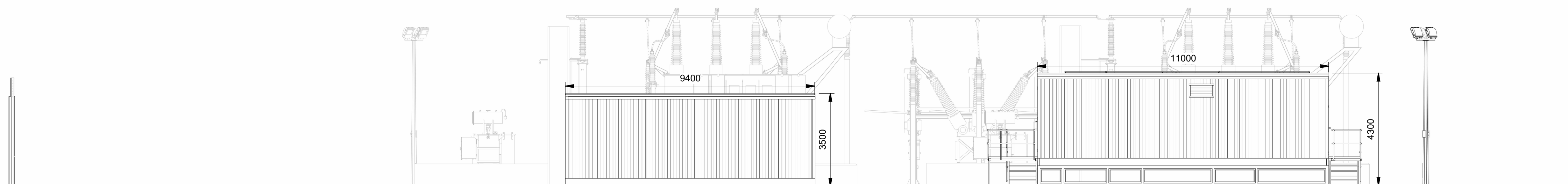
132 kV Substation



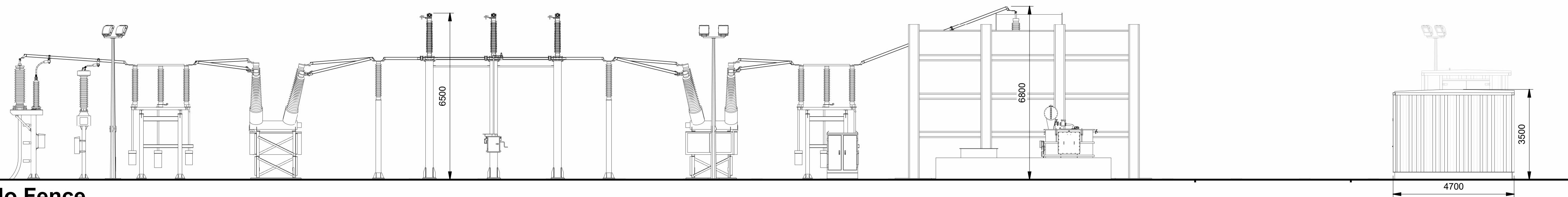
1 North Elevation - No Fence
1 : 100



2 East Elevation - No Fence
1 : 100



3 South Elevation - No Fence
1 : 100



4 West Elevation - No Fence
1 : 100

ISSUE	P1		
DRAWN	JB	FIRST ISSUE	
CHECKED	MG		
APPROVED	JA	DATE	01/04/25

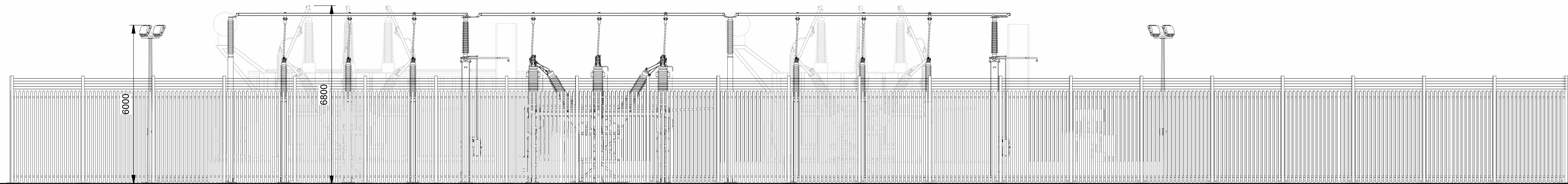


PRELIMINARY

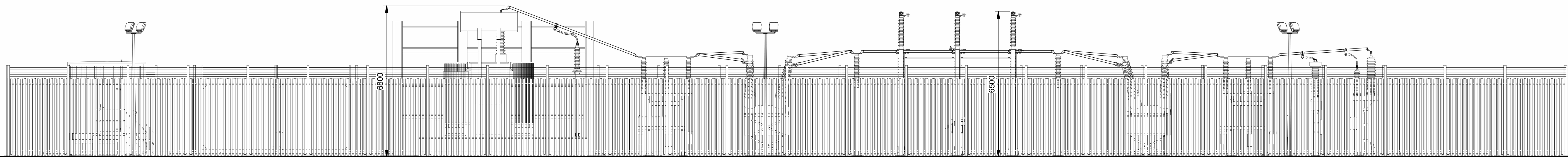
OMNIAProjects

The Catalyst, York Science Park, Baird Lane, Heslington, York YO10 5GA
email: office@omniaprojects.co.uk

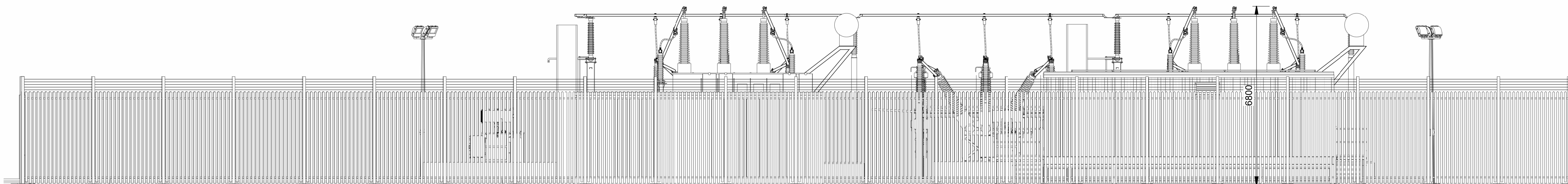
ISLAND GREEN POWER DUAL 132/33kV TRANSFORMER ELEVATIONS			
SITE	LIME DOWN SOLAR PARK	SIZE	A1
ORIGINATOR DRAWING NUMBER	PRO1492-LAY-006	TOTAL No. OF SHEETS	CAD
SCALE	1 : 100	SHEET No.	1
		TOTAL No. OF SHEETS	2
		ISSUE	P1



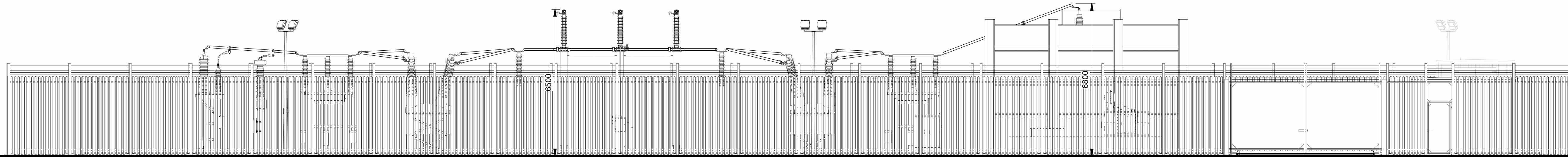
1 North Elevation
1 : 100



2 East Elevation
1 : 100



3 South Elevation
1 : 100



4 West Elevation
1 : 100

ISSUE	P1		
DRAWN	JB	FIRST ISSUE	
CHECKED	MG		
APPROVED	JA	DATE	01/04/25

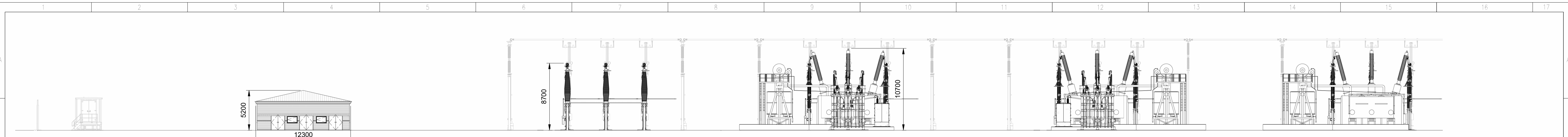


PRELIMINARY

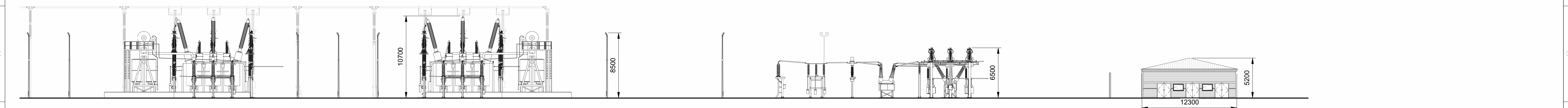
OMNIAProjects
The Catalyst, York Science Park, Baird Lane, Heslington, York YO10 5GA
email: office@omniaprojects.co.uk

ISLAND GREEN POWER DUAL 132/33kV TRANSFORMER ELEVATIONS		
SITE	SIZE	
LIME DOWN SOLAR PARK	A1	
ORIGINATOR DRAWING NUMBER	TOTAL No. OF SHEETS	ISSUE
PRO1492-LAY-006	CAD	
SCALE	SHEET No.	TOTAL No. OF SHEETS
1 : 100	2	2
		P1

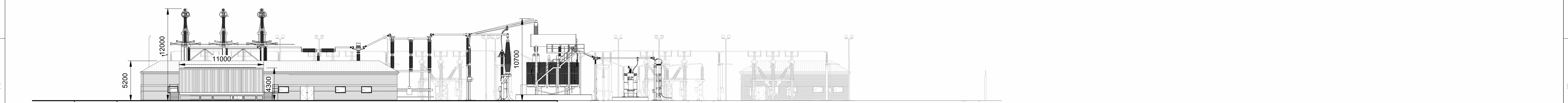
400 kV Substation



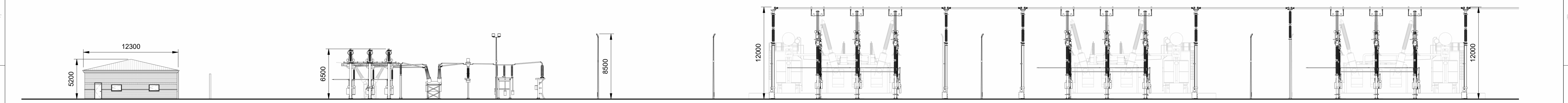
1a North Elevation - No Fence
1 : 250



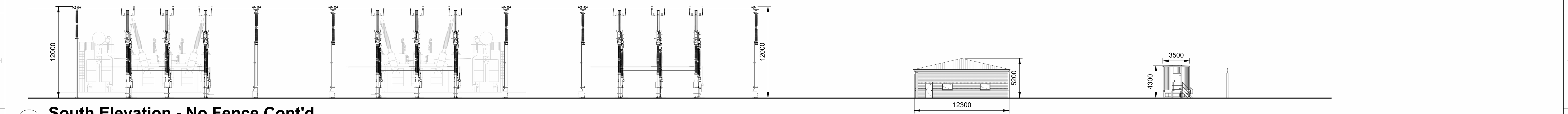
1b North Elevation - No Fence Cont'd
1 : 250



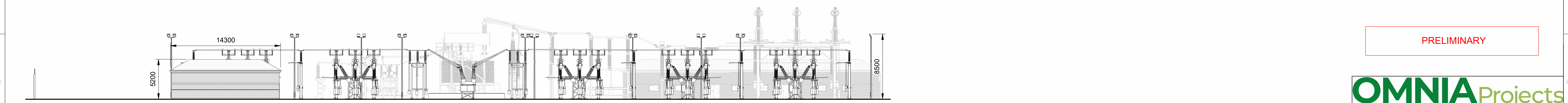
2 East Elevation - No Fence
1 : 250



3a South Elevation - No Fence
1 : 250



3b South Elevation - No Fence Cont'd
1 : 250



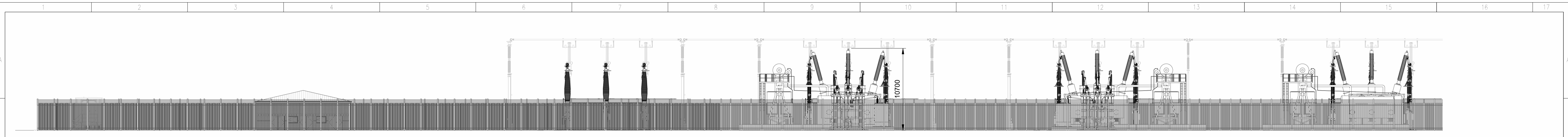
4 West Elevation - No Fence
1 : 250

PRELIMINARY

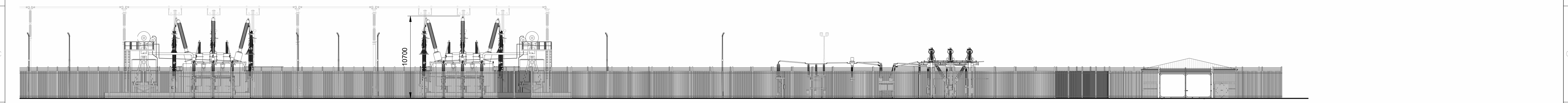
OMNIAProjects
The Catalyst, York Science Park, Baird Lane, Heslington, York YO10 5GA
email: office@omniaprojects.co.uk

ISLAND GREEN POWER LIMEDOWN SITE D ELEVATIONS			
SITE LIMEDOWN 400/132/33kV SUBSTATION		SIZE A1	
ORIGINATOR DRAWING NUMBER PRO1212-02-LAY-002		CAD	
SCALE 1 : 250	SHEET No. 1	TOTAL No. OF SHEETS 2	ISSUE P1

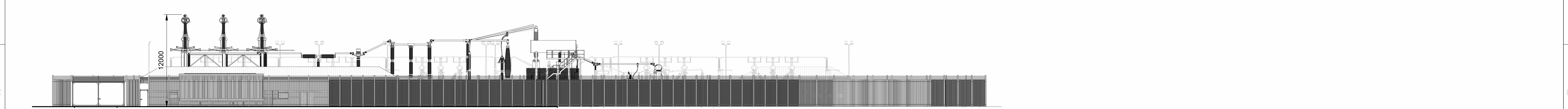
ISSUE	P1		
DRAWN	JB	FIRST ISSUE	
CHECKED	MG		
APPROVED	JA	DATE	09/04/25



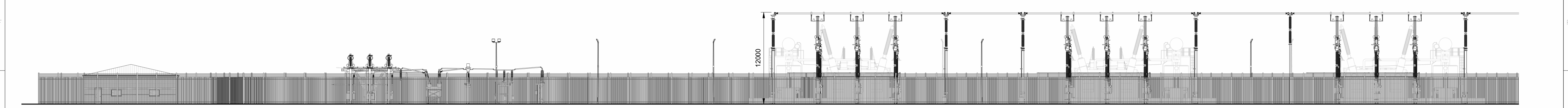
1a North Elevation
1 : 250



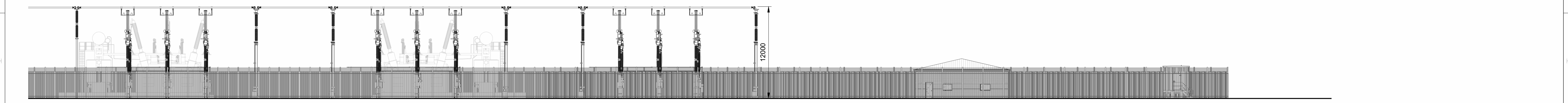
1b North Elevation - Cont'd
1 : 250



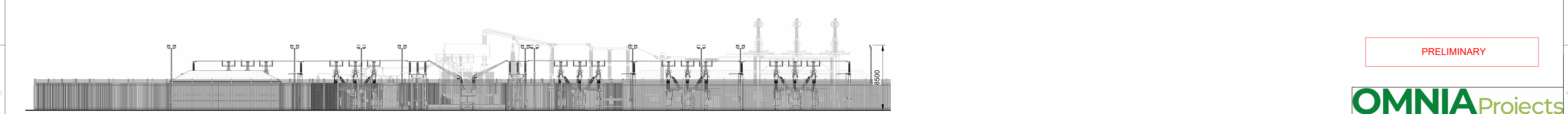
2 East Elevation
1 : 250



3a South Elevation
1 : 250



3b South Elevation - Cont'd
1 : 250



4 West Elevation
1 : 250

PRELIMINARY

OMNIAProjects
The Catalyst, York Science Park, Baird Lane, Heslington, York YO10 5GA
email: office@omniaprojects.co.uk

**ISLAND GREEN POWER
LIMEDOWN SITE D
ELEVATIONS**

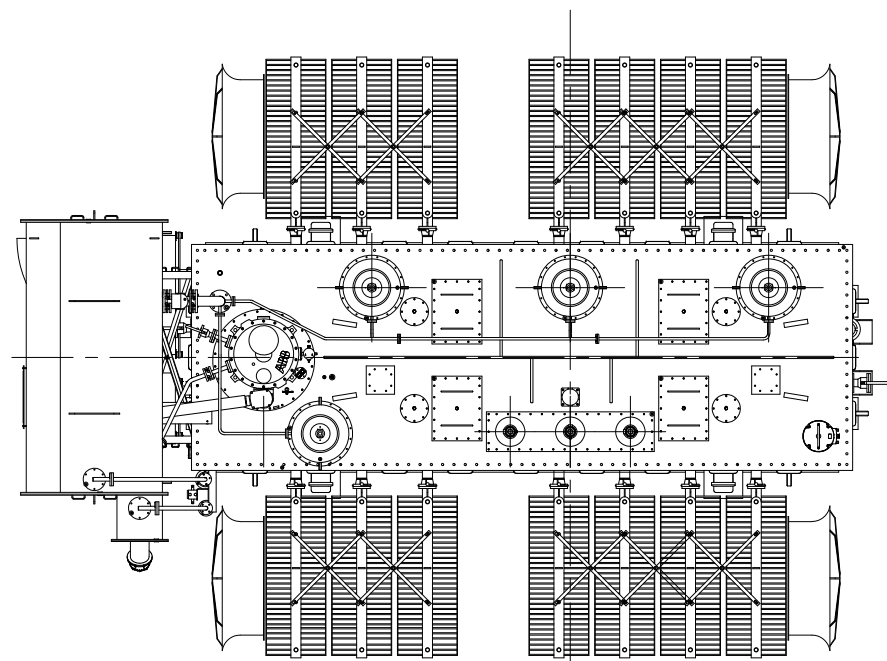
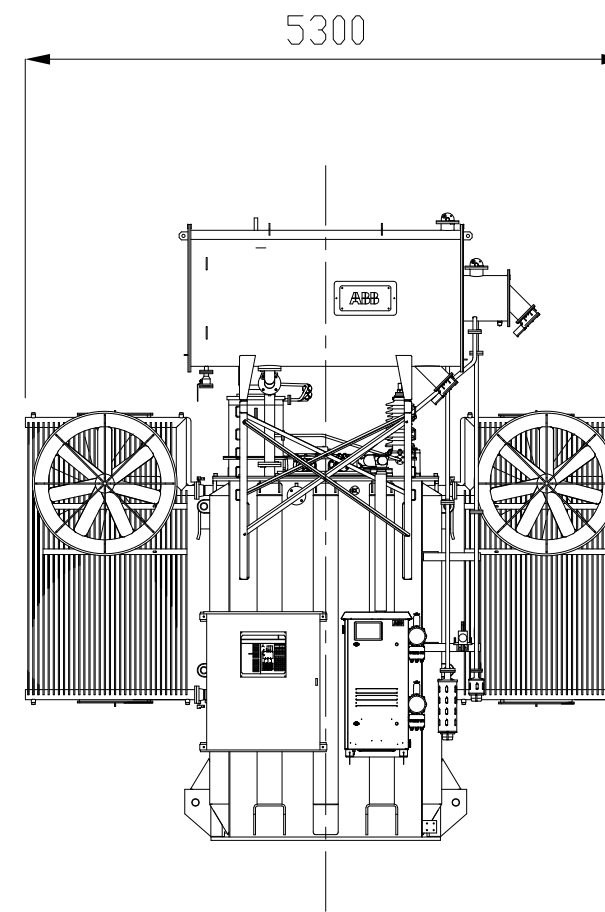
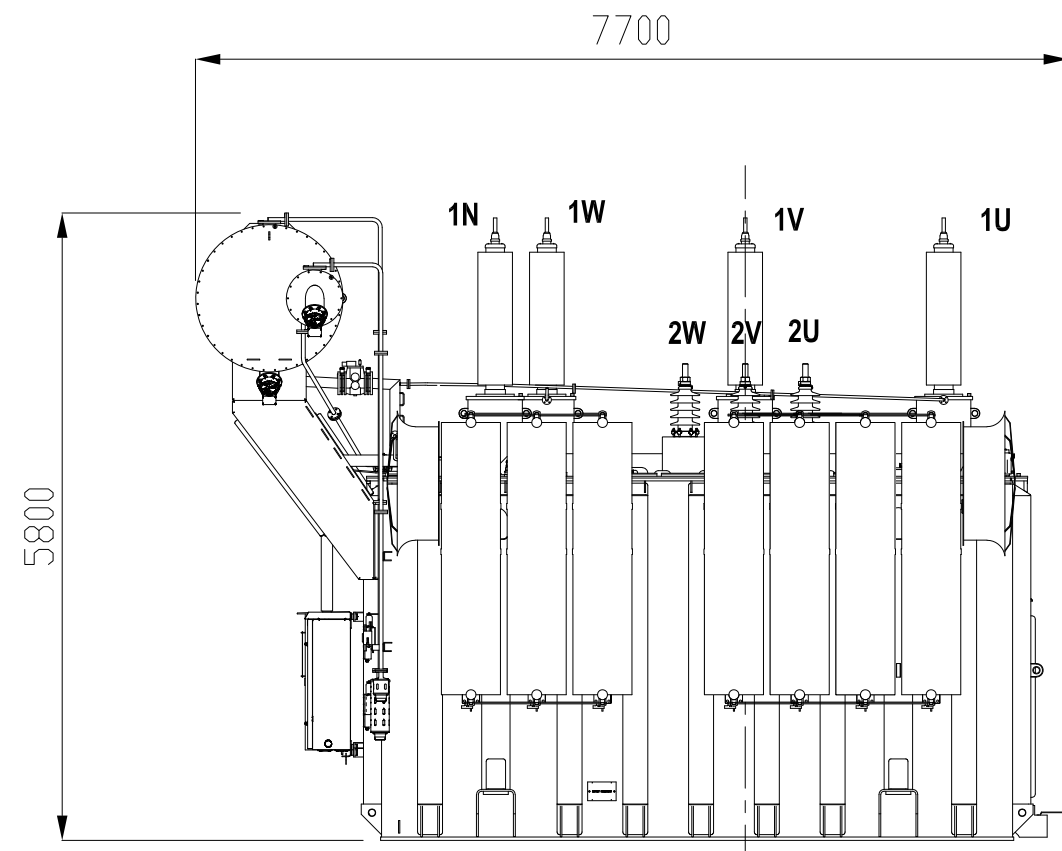
SITE LIMEODWN 400/132/33kV SUBSTATION	SIZE A1
ORIGINATOR DRAWING NUMBER PRO1212-02-LAY-002	CAD

SCALE 1 : 250	SHEET No. 2	TOTAL No. OF SHEETS 2	ISSUE P1
------------------	----------------	--------------------------	-------------

ISSUE	P1	FIRST ISSUE	
DRAWN	JB		
CHECKED	MG		
APPROVED	JA		
	DATE	09/04/25	


1.3 Illustrative Transformer Dimensions

132 kV Transformer

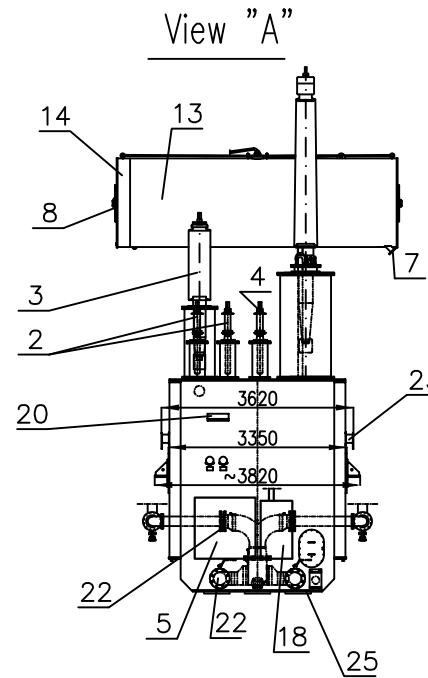
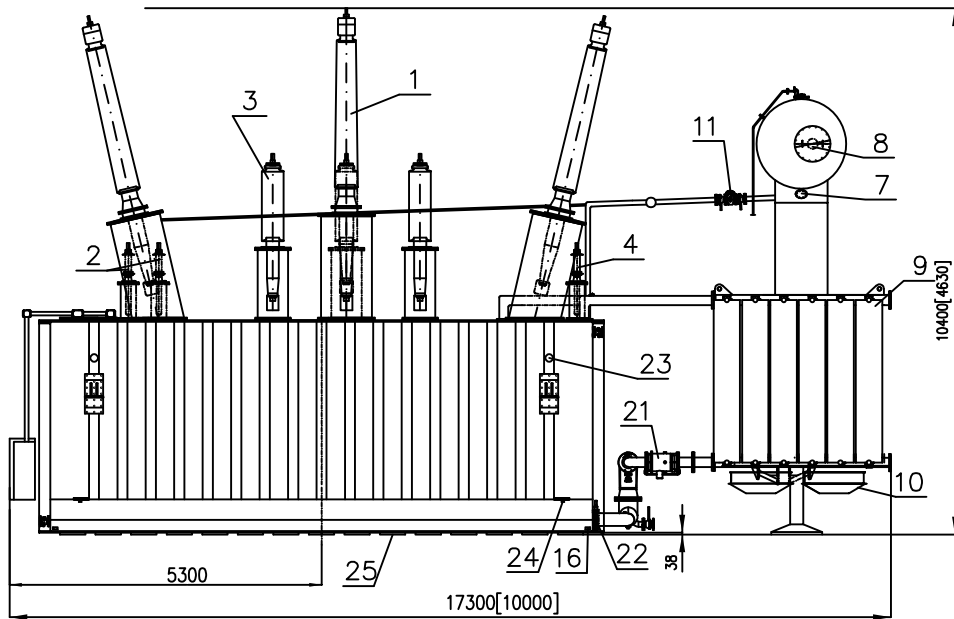


Preliminary Dimensions

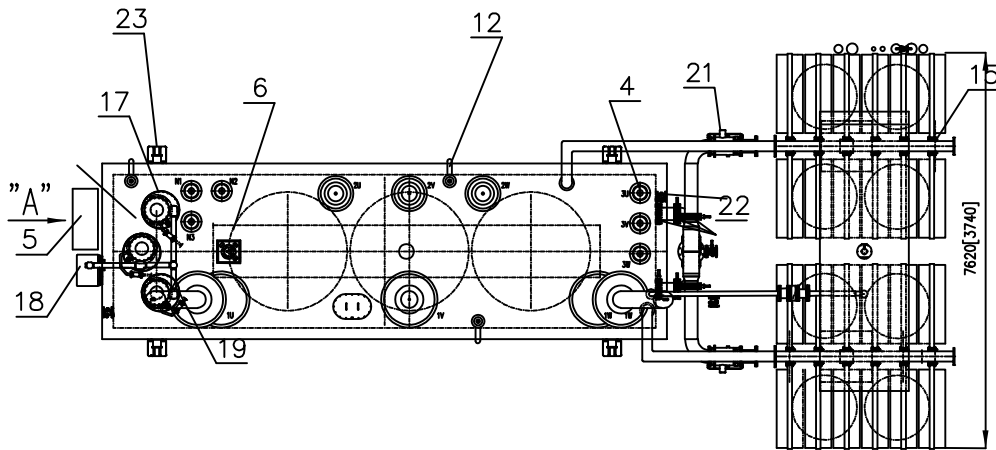
RATED POWER MVA	90/120
RATED VOLTAGE kV	132 ±10x1% / 33
FREQUENCY Hz	50
VECTOR GROUP	YNd11
COOLING CLASS	ONAN/ONAF
UNTANKING MASS Kg	64000
TRANSFORMER TOTAL OIL Kg	22000
TRANSFORMER TOTAL MASS Kg	120000

Prep.	Resp. dept. ENG	Title Preliminary Drawing		Lang. EN	
App.	Takeover dept. ENG				
Rev. 00	Rev. by	Rev. App.	Scale -	Suffix	Cont. 1
			Doc.Numb.		Sheet 1

400 kV Transformer



Item	SPECIFICATION
1	HV bushing(3 pcs.)
2	Common neutral bushing(3 pcs.)
3	LV bushing(3 pcs.)
4	TV bushing(3 pcs.)
5	Control cabinet
6	Core and beams ground outlook box
7	Oil level indicator for main conservator
8	Oil level indicator for OLTC conservator
9	Radiator
10	Fan
11	Buchholz relay with sampling device
12	Pressure relief device with directional piping
13	Main Conservator with air bag
14	OLTC Conservator
15	Butterfly valve for radiator
16	Grounding plate for tank
17	OLTC Tap changer(3 pcs.)
18	Motor drive for OLTC tap changer
19	Oil flow operated relay for OLTC protection
20	Impact recorder for transport
21	Oil pump
22	Butterfly valve for cooling system
23	Lifting lugs
24	Jacking pad
25	Antivibration pads



Total mass ~340000kg
 Transp.mass without oil ~183000kg
 Untanking part ~121800kg
 Oil ~105200kg

Transport dimensions [....]

Dimensions and masses are preliminary and may change during the final design. They may not be used for construction purposes.

Preliminary outline drawing				
240MVA 400/132/33 kV , YNaOd , Transformer				
Drq No.	Replaces	Date	ture	
	Replaced by	Designed	Checked	
		Approved		
HITACHI ENERGY				Page Pages

1.4 Illustrative Drawings of Solar PV Concrete Feet

- 1.4.1 The second figure illustrates the use of one panel '1P' tracker panels with a height of 3.5m. This configuration has been selected for illustrative purposes because it is compatible with concrete footings. In contrast, two panel '2P' tracker panels —up to 4.5m high—are not compatible with the concrete feet.

1.5 Single Axis Tracker Mounting Structure Side View

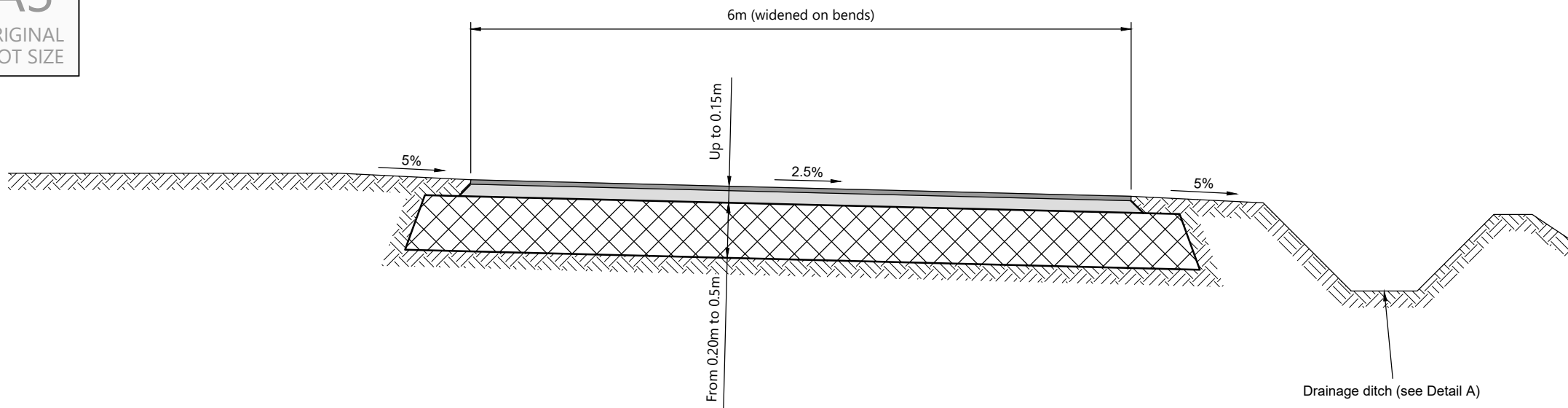
1.6 Illustrative Access Track to BESS Area

A3

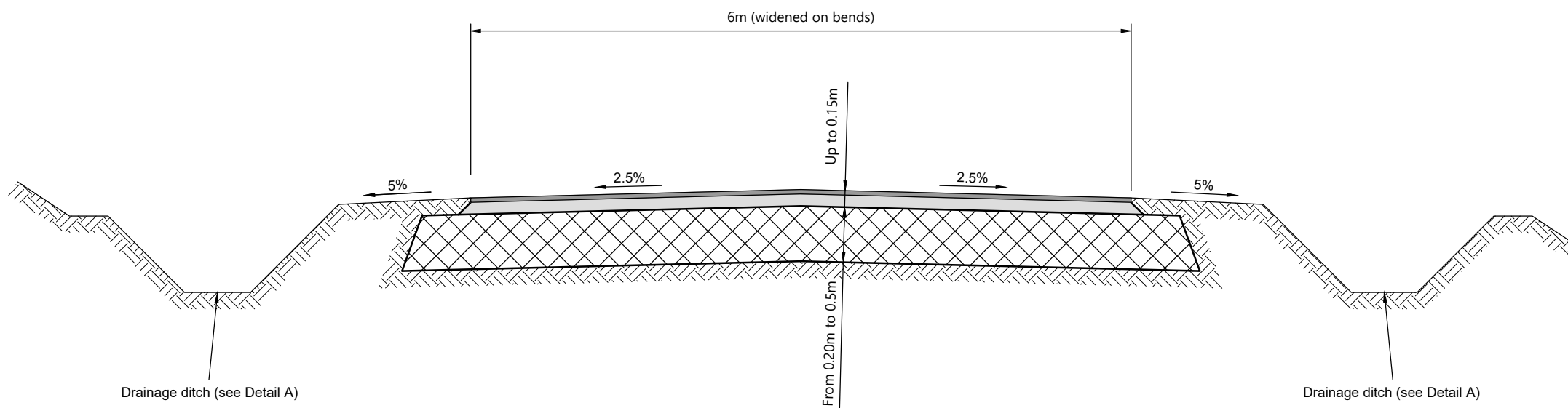
ORIGINAL
PLOT SIZE

Reproduced from Ordnance Survey Superplan Data with the permission of The Controller of His Majesty's Stationery Office. Crown Copyright - Licence No. AL100034021

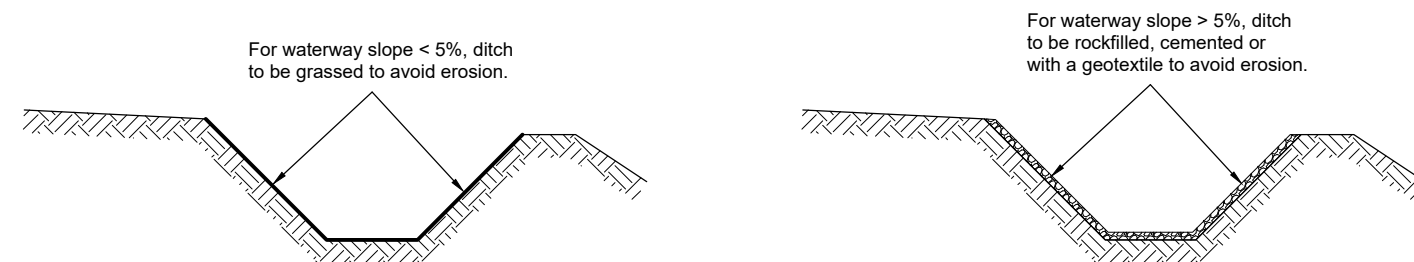
NOTES:



Access Road With Crossfall


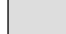




Access Road With Camber



Detail 1 - Drainage Ditch Options

KEY

-  Blacktop surface course
-  Bituminous material
-  Untreated granular material
-  Natural ground

Rev	Date	Details	Drawn by	Checked by	Approved by

Bristol
Cambridge
London
Welwyn Garden City



Transport Planning Associates

40 Berkeley Square
Clifton
Bristol
BS8 1HP

0117 925 9400
www.tpa.uk.com

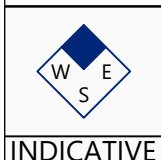
CLIENT:
IGP SOLAR 15 LTD

PROJECT:
LIME DOWN SOLAR PARK

TITLE:
**AIL Internal Access Road
Cross-Sections**

STATUS:
ILLUSTRATIVE

SCALE: 1:50	DATE: 10.04.25	DRAWN: PSW	CHECKED: STM	APPROVED: JD
JOB NO: 2306-020		DRAWING NO: PL212		REVISION:



INDICATIVE

RESERVED COPYRIGHT